

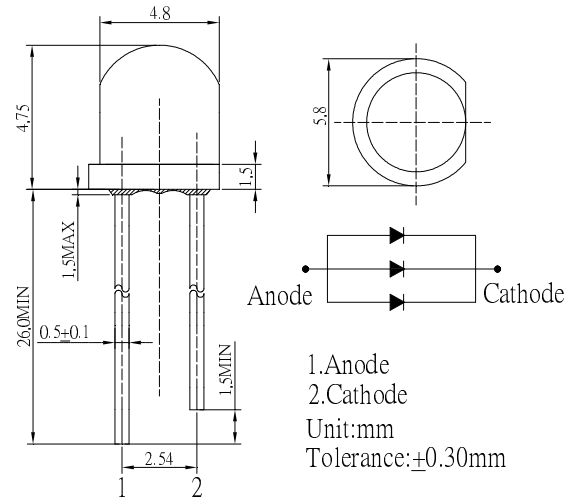
■ **Features**

- High luminous Flux LEDs
- 4.8mm Straw Standard Directivity
- Superior Weather-resistance
- UV Resistant Epoxy
- Water Clear Type

■ **Applications**

- Backlighting (illuminated advertising etc.)
- Substitution of Micro Incandescent Lamps
- Reading Lamps / Emergency Lighting
- Marker lights (e.g. steps, exit ways, etc.)
- Other Lighting

■ **Outline Dimension**

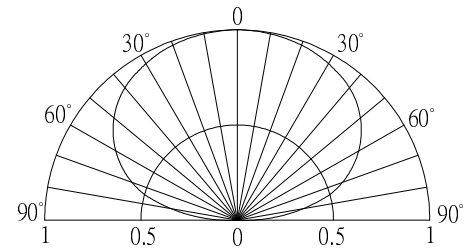


■ **Absolute Maximum Rating (Ta=25°C)**

Item	Symbol	Value	Unit
DC Forward Current	I <sub>F</sub>	90	mA
Pulse Forward Current*	I <sub>FP</sub>	180	mA
Reverse Voltage	V <sub>R</sub>	5	V
Power Dissipation	P <sub>D</sub>	324	mW
Operating Temperature	T <sub>opr</sub>	-30 ~ +85	°C
Storage Temperature	T <sub>stg</sub>	-40 ~ +100	°C
Lead Soldering Temperature	T <sub>sol</sub>	260°C/5sec	-

\*Pulse width Max 10ms , Duty ratio max 1/10

■ **Directivity**



■ **Electrical -Optical Characteristics (Ta=25°C)**

Item	Symbol	Condition	Min.	Typ.	Max.	Unit
DC Forward Voltage	V <sub>F</sub>	I <sub>F</sub> =90mA	2.9	3.1	3.6	V
DC Reverse Current	I <sub>R</sub>	V <sub>R</sub> =5V	-	-	30	μA
Luminous Flux*	Φ <sub>v</sub>	I <sub>F</sub> =90mA	35	40	-	lm
		I <sub>F</sub> =60mA	24	27	-	
Color Temperature	CCT	I <sub>F</sub> =90mA	-	8000	-	K
Chromaticity Coordinates*	x	I <sub>F</sub> =90mA	-	0.29	-	
	y	I <sub>F</sub> =90mA	-	0.32	-	
50% Power Angle	2θ <sub>1/2</sub>	I <sub>F</sub> =90mA	-	150	-	deg

\*1 Tolerance of chromaticity coordinates is ±10%

\*2 Tolerance of luminous Flux is ±15%