

# 型名 : SHD-HBBiRAX4WA

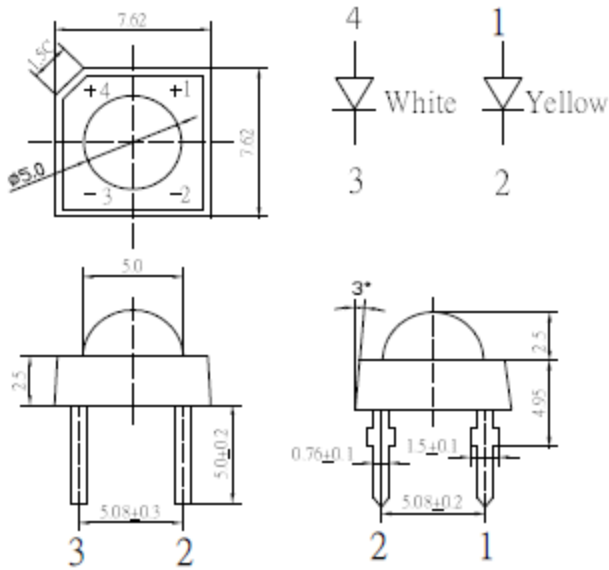
## ■Features

- Super Flux Output
- 5 φ Standard Directivity
- Superior Weather-resistance
- UV Resistant Epoxy
- Water Clear Type

## ■Applications

- Toys
- Games
- Audio
- Backing Lighting

## ■Outline Dimension



Unit:mm  
Tolerance:±0.3mm

### ■ Absolute Maximum Rating

(Ta=25°C)

Item	Symbol	Value		Unit
		Yellow	White	
DC Forward Current	$I_F$	50	30	mA
Pulse Forward Current*	$I_{FP}$	120	100	mA
Reverse Voltage	$V_R$	5	5	V
Power Dissipation	$P_D$	130	108	mW
Operating Temperature	Topr	-30 - +85		°C
Storage Temperature	Tstg	-40 - +100		°C
Lead Soldering Temperature	Tsol	260°C/5sec		-

\*Pulse width Max.10ms Duty ratio max 1/10

### ■ Electrical -Optical Characteristics

(Ta=25°C)

Item	Symbol	Condition	Min.	Typ.	Max.	Unit
DC Forward Voltage	$V_F(Y)$	$I_F=20mA$	1.8	2.1	2.6	V
	$V_F(W)$	$I_F=20mA$	2.9	3.1	3.6	V
DC Reverse Current	$I_R$	$V_R=5V$	-	-	10	$\mu A$
Domi. Wavelength*	$\lambda_D(Y)$	$I_F=20mA$	585	590	595	nm
	$\lambda_D(W)$	$I_F=20mA$	-	10000	-	K
Luminous Intensity*	$I_V(Y)$	$I_F=20mA$	1560	2300	-	mcd
	$I_V(W)$	$I_F=20mA$	2000	3000	-	mcd
50% Power Angle	$2\theta_{1/2}$	$I_F=20mA$	-	90	-	deg

\*1 Tolerance of dominant wavelength is  $\pm 1nm$

\*2 Tolerance of luminous intensity is  $\pm 15\%$

### ■ Directivity

