

型名 : SHD-HBBiRAX3

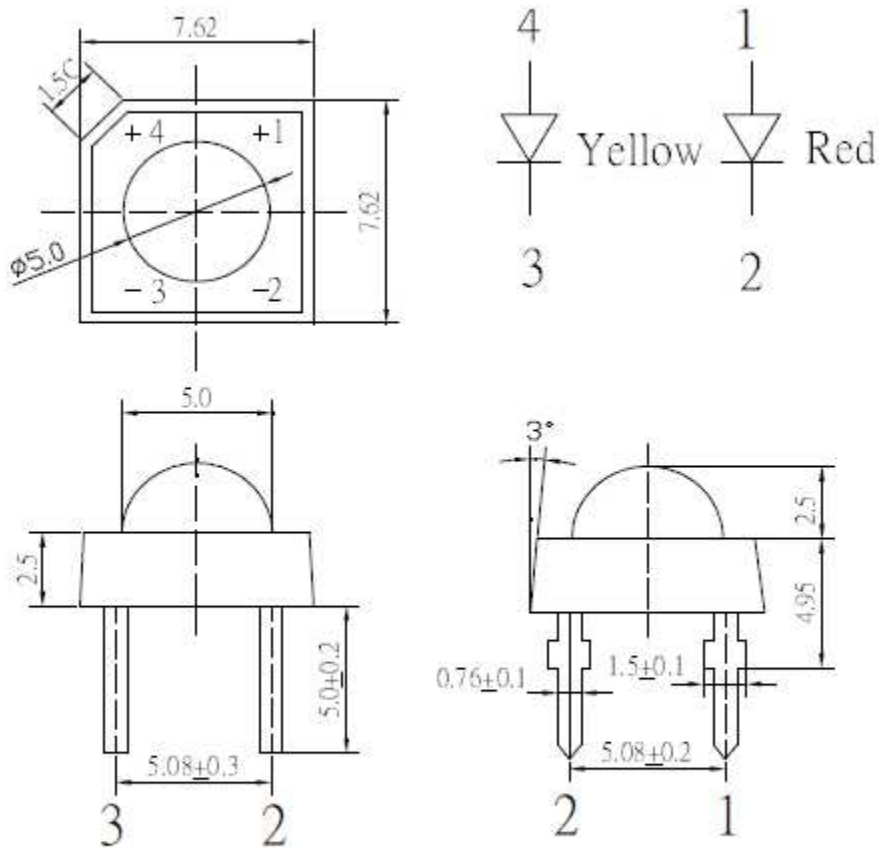
■Features

- Super Flux Output
- 5 φ Standard Directivity
- Superior Weather-resistance
- UV Resistant Epoxy
- Water Clear Type

■Applications

- Toys
- Games
- Audio
- Backing Lighting

■Outline Dimension



Unit:mm
Tolerance: ± 0.3 mm

■ Absolute Maximum Rating

(Ta=25°C)

Item	Symbol	Value		Unit
		Red	Yellow	
DC Forward Current	I_F	50	50	mA
Pulse Forward Current*	I_{FP}	120	120	mA
Reverse Voltage	V_R	5	5	V
Power Dissipation	P_D	130	130	mW
Operating Temperature	T_{opr}	-30 ~ +85		°C
Storage Temperature	T_{stg}	-40 ~ +100		°C
Lead Soldering Temperature	T_{sol}	260°C/5sec		-

*Pulse width Max.10ms Duty ratio max 1/10

■ Electrical -Optical Characteristics

(Ta=25°C)

Item	Symbol	Condition	Min.	Typ.	Max.	Unit
DC Forward Voltage	$V_F(R)$	$I_F=20mA$	1.8	2.1	2.6	V
	$V_F(Y)$	$I_F=20mA$	1.8	2.1	2.6	V
DC Reverse Current	I_R	$V_R=5V$	-	-	10	μA
Domi. Wavelength*	$\lambda_D(R)$	$I_F=20mA$	620	625	630	nm
	$\lambda_D(Y)$	$I_F=20mA$	585	590	595	nm
Luminous Intensity*	$I_v(R)$	$I_F=20mA$	1560	2300	-	mcd
	$I_v(Y)$	$I_F=20mA$	1560	2300	-	mcd
50% Power Angle	$2\theta_{1/2}$	$I_F=20mA$	-	120	-	deg

*1 Tolerance of dominant wavelength is $\pm 1nm$

*2 Tolerance of luminous intensity is $\pm 15\%$

■ Directivity

