

# 型名 : Monster8.0-R

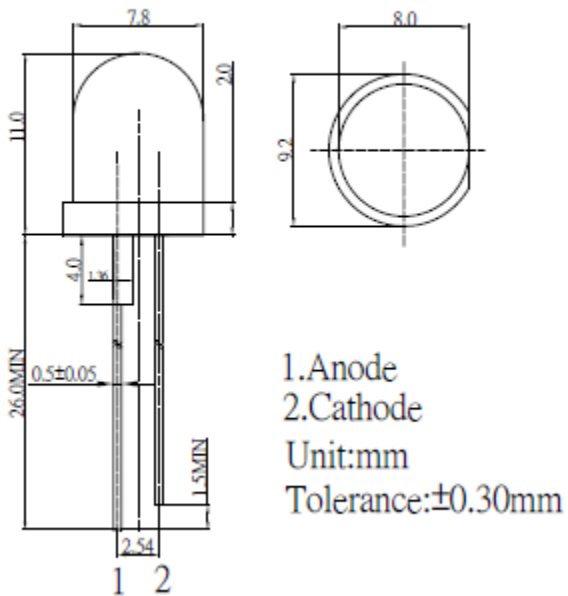
## ■Features

- High Luminous LEDs
- 8mm Round Standard Directivity
- Long Lifetime Operation
- Superior Weather-resistance
- UV Resistant Epoxy
- Water Clear Type

## ■Applications

- Traffic Signal
- Backlighting
- Signal and channel letter
- Other Lighting

## ■Outline Dimension



### ■ Absolute Maximum Rating

(Ta=25°C)

Item	Symbol	Value	Unit
DC Forward Current	$I_F$	70	mA
Pulse Forward Current*	$I_{FP}$	120	mA
Reverse Voltage	$V_R$	5	V
Power Dissipation	$P_D$	182	mW
Operating Temperature	$T_{opr}$	-30 ~ +85	°C
Storage Temperature	$T_{stg}$	-40 ~ +100	°C
Lead Soldering Temperature	$T_{sol}$	260°C/5sec	-

\*Pulse width Max 10ms Duty ratio max 1/10

### ■ Electrical -Optical Characteristics

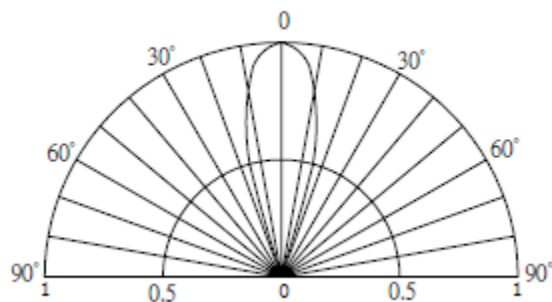
(Ta=25°C)

Item	Symbol	Condition	Min.	Typ.	Max.	Unit
DC Forward Voltage	$V_F$	$I_F=60\text{mA}$	2.0	2.3	2.6	V
DC Reverse Current	$I_R$	$V_R=5\text{V}$	-	-	10	$\mu\text{A}$
Domi. Wavelength*	$\lambda_D$	$I_F=60\text{mA}$	620	625	630	nm
Luminous Intensity*	$I_v$	$I_F=60\text{mA}$	18000	22000	-	mcd
50% Power Angle	$2\theta_{1/2}$	$I_F=60\text{mA}$	-	30	-	deg

\*1 Tolerance of dominant wavelength is  $\pm 1\text{nm}$

\*2 Tolerance of luminous intensity is  $\pm 15\%$

### ■ Directivity



### ■ Maximum Forward DC Current

Maximum Permissible Forward Current  $T_J=115^\circ\text{C}$

