

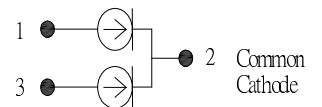
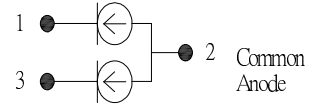
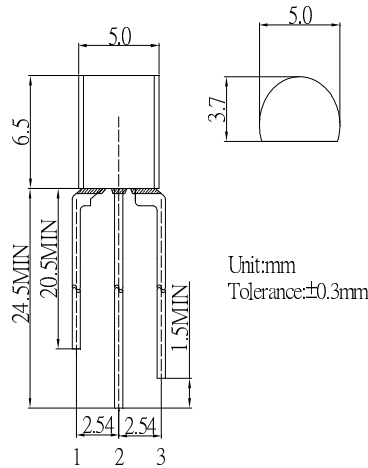
CURRENT REGULATIVE DIODE (CRD)

■ Outline Dimension

- CRD is a diode which supplies constant current to an electric circuit, when power supply voltage fluctuations or load impedance fluctuations occur.
- CRD is used for current stabilization and current limiting.
- CRD is offered on TO-92

■ Features

- Robust Power Package:460mW
- Wide Operating Voltage Range
- Immediate Turn-On
- Voltage Surge Suppressing – Protecting LEDs



■ Absolute Maximum Rating (Ta=25°C)

Item	Symbol	Value	Unit
Junction Temperature	Tj	125	°C
Storage Temperature	Tstg	-40~ +125	°C
Collector Dissipation	Pc	0.75*2	W

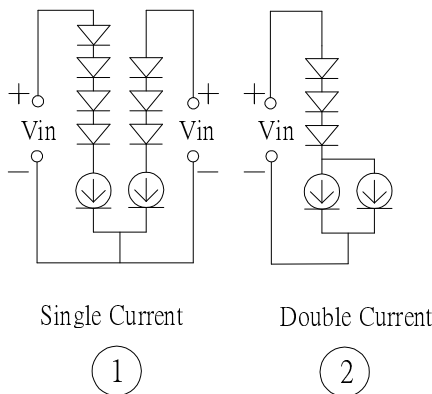
■ Electrical -Optical Characteristics (Ta=25°C)

Part Number	Color Marking	Constant Current(IH)		Turn-on voltage(Vk)		Limiting ratio (Kc)	Withstand Voltage (V)
		IH	Voltage(v)	Vk(V)	Ik (MA)	I30v/I10v	
OSCRDT216-A	Light Green Diffused	13-18	10	≤3.5	≤0.8IH	≤1.1	>70
OSCRDT216-C	Light Blue Diffused	13-18	10	≤3.5	≤0.8IH	≤1.1	>70
OSCRDT235-A	Dark Green Diffused	28-36	20	≤4.5	≤0.8IH	≤1.1	>70
OSCRDT235-C	Dark Blue Diffused	28-36	20	≤4.5	≤0.8IH	≤1.1	>70

■ Application

- Automobile: Chevron Side Mirror Markers, Cluster, Display & Instrument Backlighting, CHMSL, Map Light
- DC Lighting Panels, Display Signage, Decorative Lighting, Channel Lettering
- Switch Contact Wetting

■ Application Information



■ Basic characteristics

